



T&S BRASS AND BRONZE WORKS, INC.

2 Saddleback Cove / P.O. Box 1088
 Travelers Rest, SC 29690

Model No.

B-3204-PBV

Item No.

Travelers Rest, SC: 800-476-4103 • Simi Valley, CA: 800-423-0150 • Fax: 864-834-3518 • www.tsbrass.com

This Space for Architect/Engineer Approval

Job Name _____ Date _____

Model Specified _____ Quantity _____

Customer/Wholesaler _____

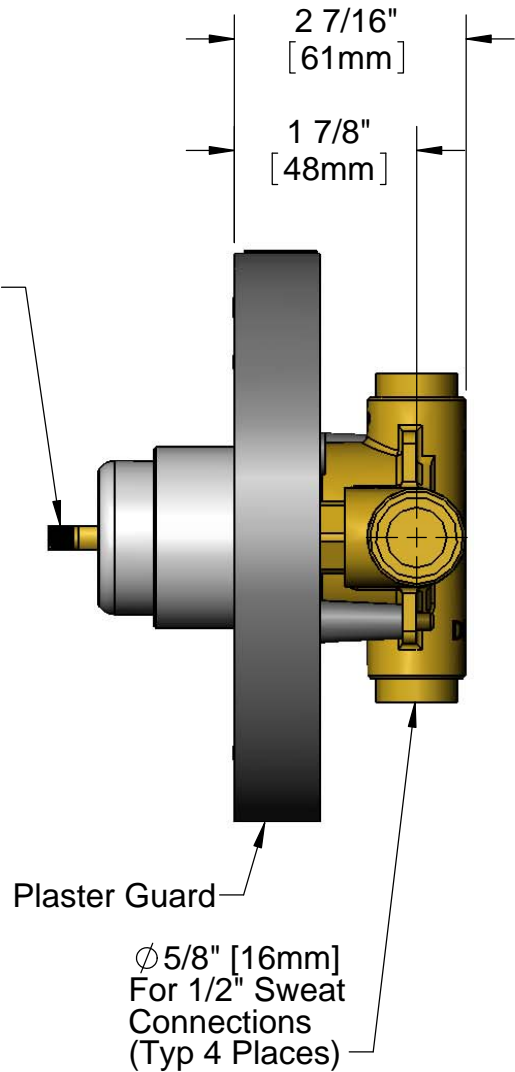
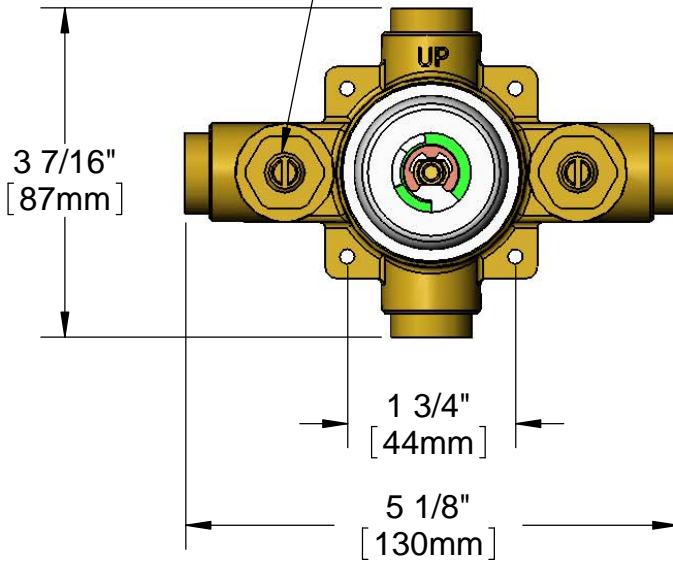
Contractor _____

Architect/Engineer _____

Precautionary Note:
 Shower valve should not be utilized with low-flow shower heads.

017441-45
 Pressure Balance
 Cartridge Assembly
 w/ Temperature Limit Stop

Integral Screwdriver
 Stops



For B-3200, B-3201 and B-3204 Pre-Installation:

- 017443-45 Handle Assembly,
 - 017444-45 Cover Plate Assembly,
 - 017442-45 Showerhead w/ Arm & Escutcheon
 - 017439-45 Tub Spout w/ Diverter
- Available Separately

Product Specifications:
 Pressure Balance Mixing Valve Only

Drawn DMH	Checked DHL	Approved JHB
Scale: 1:2		Date: 11/30/11