



T&S BRASS AND BRONZE WORKS, INC.

2 Saddleback Cove / P.O. Box 1088
Travelers Rest, SC 29690



REG. #A2601
ISO #9001

Model No.
B-3205

Item No.

Travelers Rest, SC: 800-476-4103 • Simi Valley, CA: 800-423-0150 • Fax: 864-834-3518 • www.tsbrass.com

This Space for Architect/Engineer Approval

Job Name _____ Date _____

Model Specified _____ Quantity _____

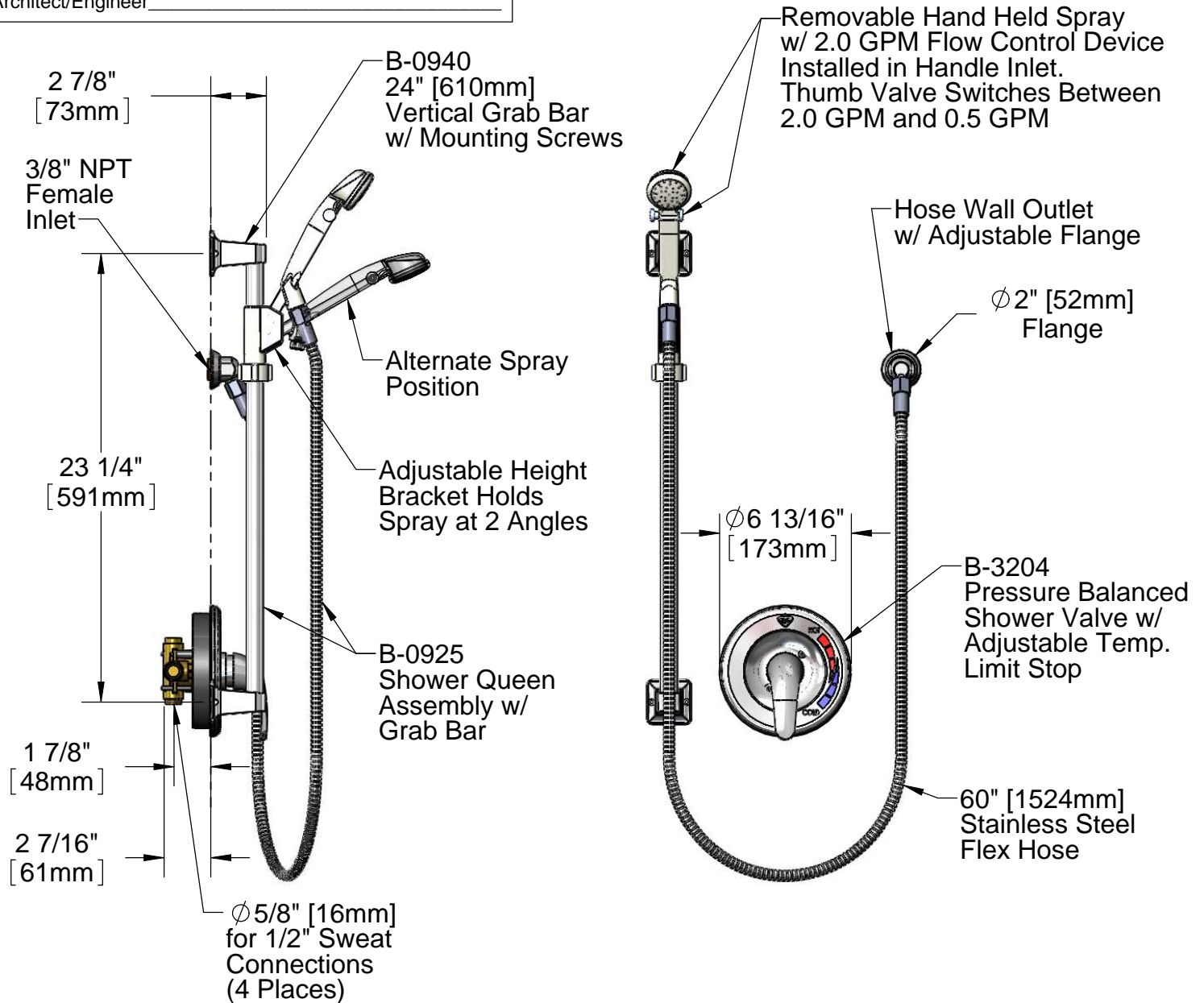
Customer/Wholesaler _____

Contractor _____

Architect/Engineer _____



ADA Compliant



Product Specifications:
Pressure Balance Shower Valve (ASSE 1016), Shower Queen Handheld Spray Assembly and Grab Bar

Drawn DMH	Checked GEF	Approved JHB
Scale: 1:8		Date: 10/15/10



T&S BRASS AND BRONZE WORKS, INC.

2 Saddleback Cove / P.O. Box 1088
Travelers Rest, SC 29690



REG. #A2601
ISO #9001

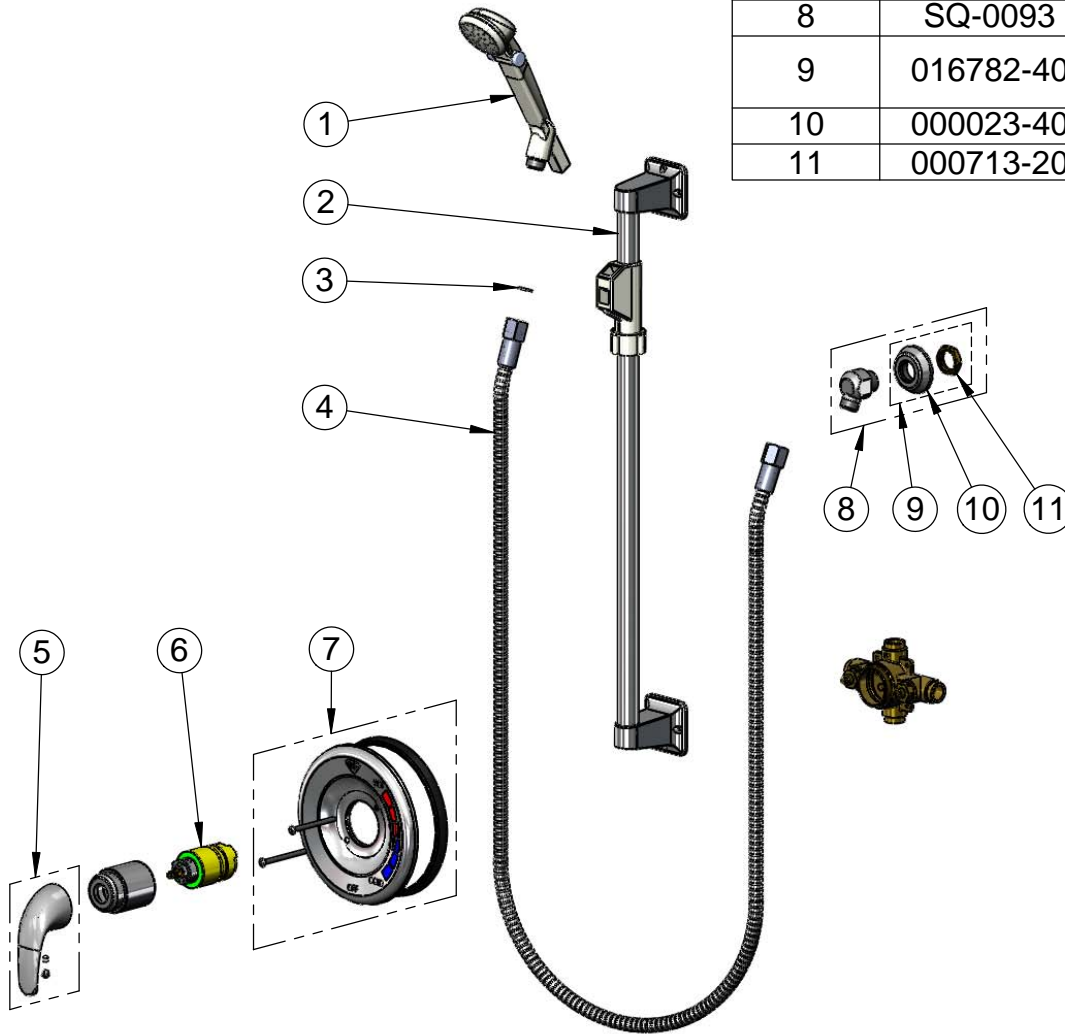
Model No.

B-3205

Item No.

Travelers Rest, SC: 800-476-4103 • Simi Valley, CA: 800-423-0150 • Fax: 864-834-3518 • www.tsbrass.com

ITEM NO.	SALES NO.	DESCRIPTION
1	SQ-0095	Handle, Shower Queen
2	B-0940	Grab Bar w/ Bracket Assembly
3	009037-45	Washer
4	SQ-0101	60" Flex Stainless Steel Hose Asm.
5	017443-45	Handle w/ Set Screw & Temp. Index
6	017441-45	PBV Cartridge Assembly
7	017444-45	PBV Cover Plate Assembly
8	SQ-0093	Wall Outlet Assembly
9	016782-40	Adjustable Wall Flange w/ Lock Nut
10	000023-40	Adjustable Wall Flange
11	000713-20	Lock Nut, B-1200



Product Specifications:
Pressure Balance Shower Valve (ASSE 1016), Shower Queen
Handheld Spray Assembly and Grab Bar

Drawn	Checked	Approved
DMH	GEF	JHB
Scale:	Date:	
NTS	10/15/10	